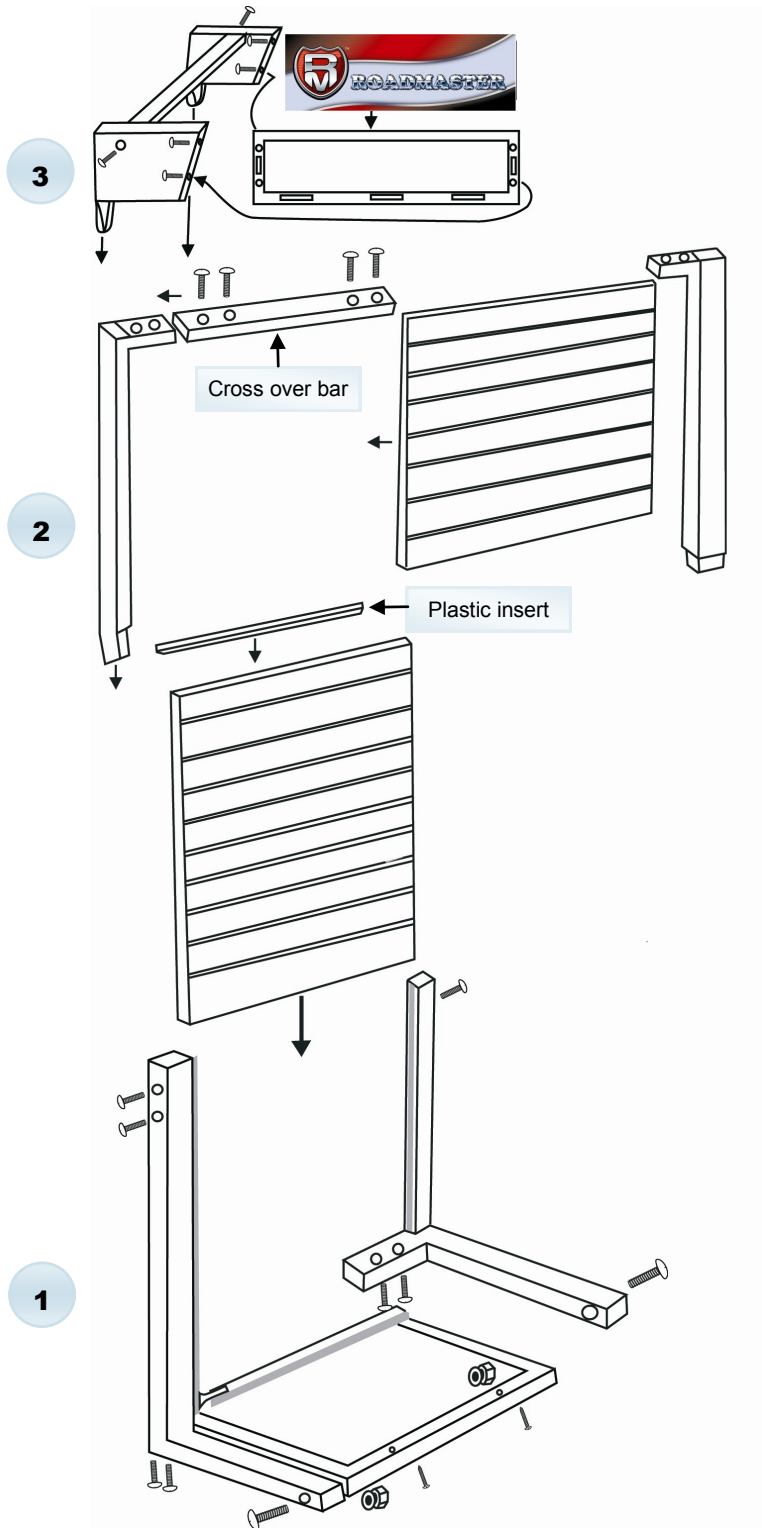




Free Standing Slatwall Display

Part number **Display-001**

ROADMASTER your source for quality truck accessories



1 Base Unit Set UP

- Assemble base unit first
- Slide wood into grooves after base has been assembled

2 Center

- Place plastic insert inside groove
- Assemble cross over bar
- Slide wood into place, after you assemble cross over bar

3 Top Header Frame

- Assemble top header frame
- Insert header into slot face forward
- Assemble face to top header



13813 S. Main Street, Los Angeles CA 90061 " (310) 767.5900 " fax (310) 767.5901

www.thinkroadmaster.com