

Air Horns



Let everyone know you are coming with a Roadmaster air horn

These air horns are manufactured using the highest quality materials available. Trumpets are constructed of brass and then chrome plated giving the quality and powerful sound that truck owner demand. Mounting hardware and installation instructions are included with all air horns.



Scan code and see our quick how to maintain video

Train Sounding Air Horn

Part Number
5000E

16-1/4" x 14-1/2" x 12-1/4"

Flare: 6-1/4"

PSI: 116

Decibels: 128

Hertz: 150

Weight: 15.5 lbs



5000-1 Solenoid valve included.

The Little Giant Air Horn

Part Number
5025

12" x 6.5" x 6.5"

Flare: 3-3/4"

PSI: 108

Decibels: 120 +/-5

Hertz: 265

Weight: 3.4 lbs



5000-1 Solenoid valve included.

Dual Air Horn

Part Number
5045

15"

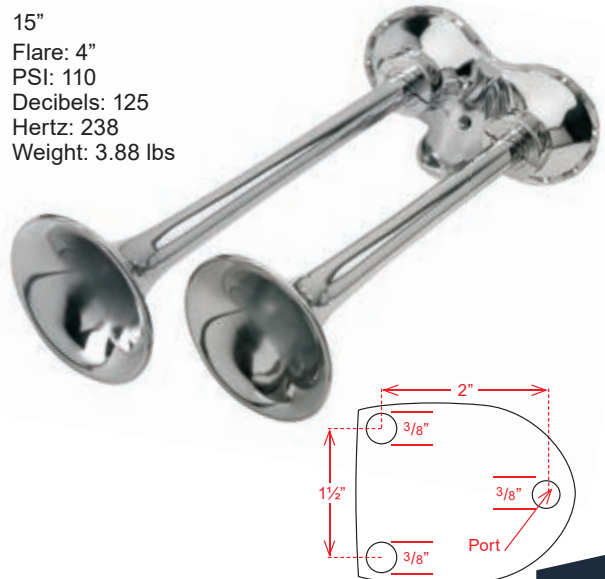
Flare: 4"

PSI: 110

Decibels: 125

Hertz: 238

Weight: 3.88 lbs

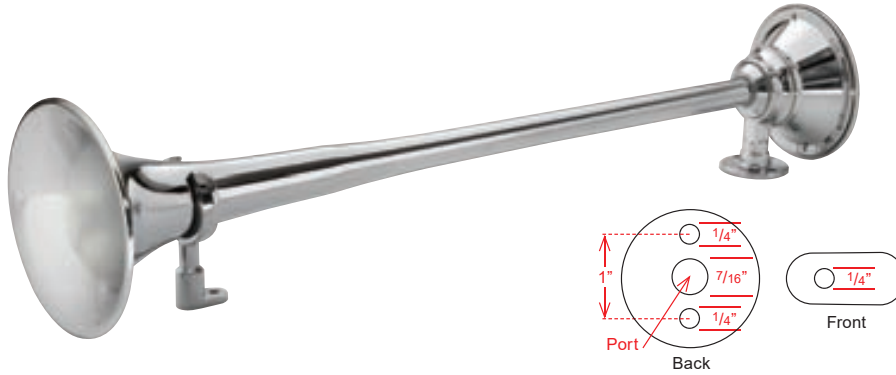




Air Horns

Round Air Horn

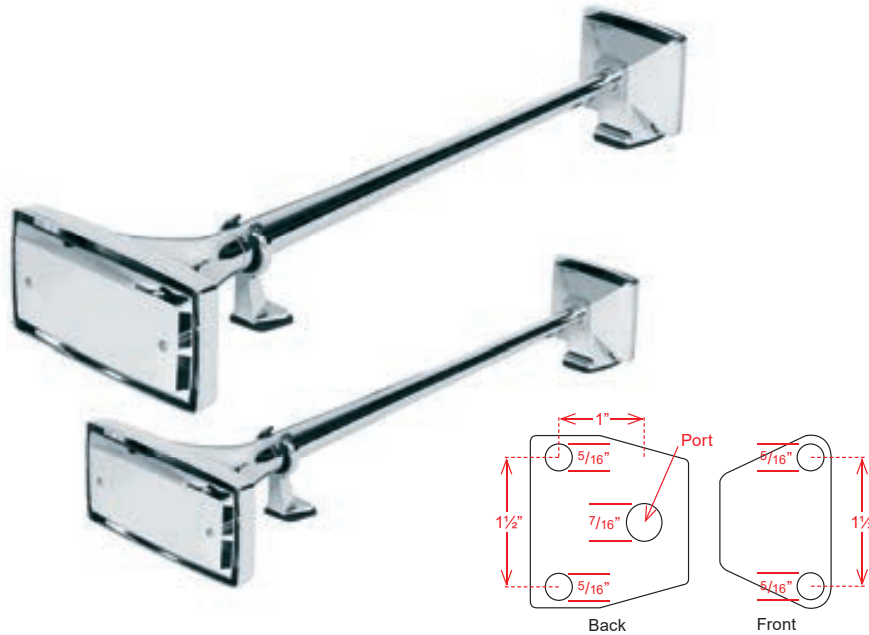
Part Number
5040
 24.5"
 Length: 24-1/2"
 Flare: 6"
 Pressure: 100 psi
 Decibels: 130
 Hertz: 230
 Weight: 4.18 lbs



Rectangular Air Horn

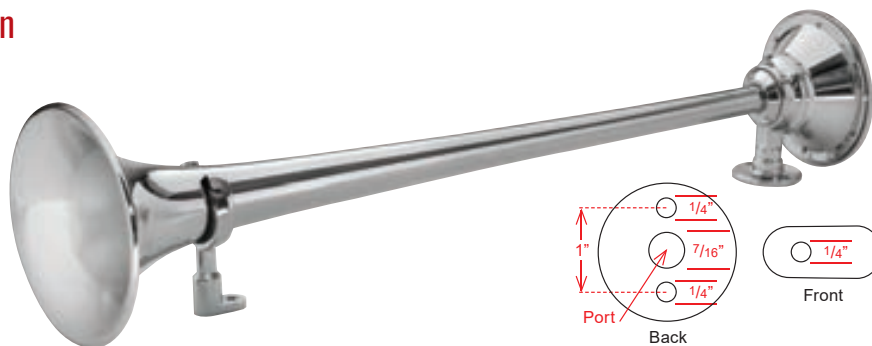
Part Number
5030
 28.5"
 Length: 28-1/2"
 Flare: 8-1/2" x 4-1/2"
 Pressure: 92 - 100 psi
 Decibels: 130
 Hertz: 183
 Weight: 6.6 lbs

Part Number
5035
 24.5"
 Length: 24-1/2"
 Flare: 8-1/2" x 4-1/2"
 Pressure: 92 - 100 psi
 Decibels: 130
 Hertz: 215
 Weight: 6.6 lbs



Emergency Air Horn

Part Number
5060
 25"
 Flare: 6"
 Pressure: 110
 Decibels: 130
 Hertz: 250
 Weight: 2.9 lbs



Stainless Steel Horn Covers



Part Number

500S

Fits 5-1/2" to 6" bell.



500SCD display pack

Part Number

510S

Fits 7-1/4" to 7-1/2" bell.



510SCD display pack

Part Number

505S

Fits 6-1/2" to 7" bell.



505SCD display pack

Part Number

515S

Fits 7-3/4" to 8" bell.



515SCD display pack



Part Number

516S

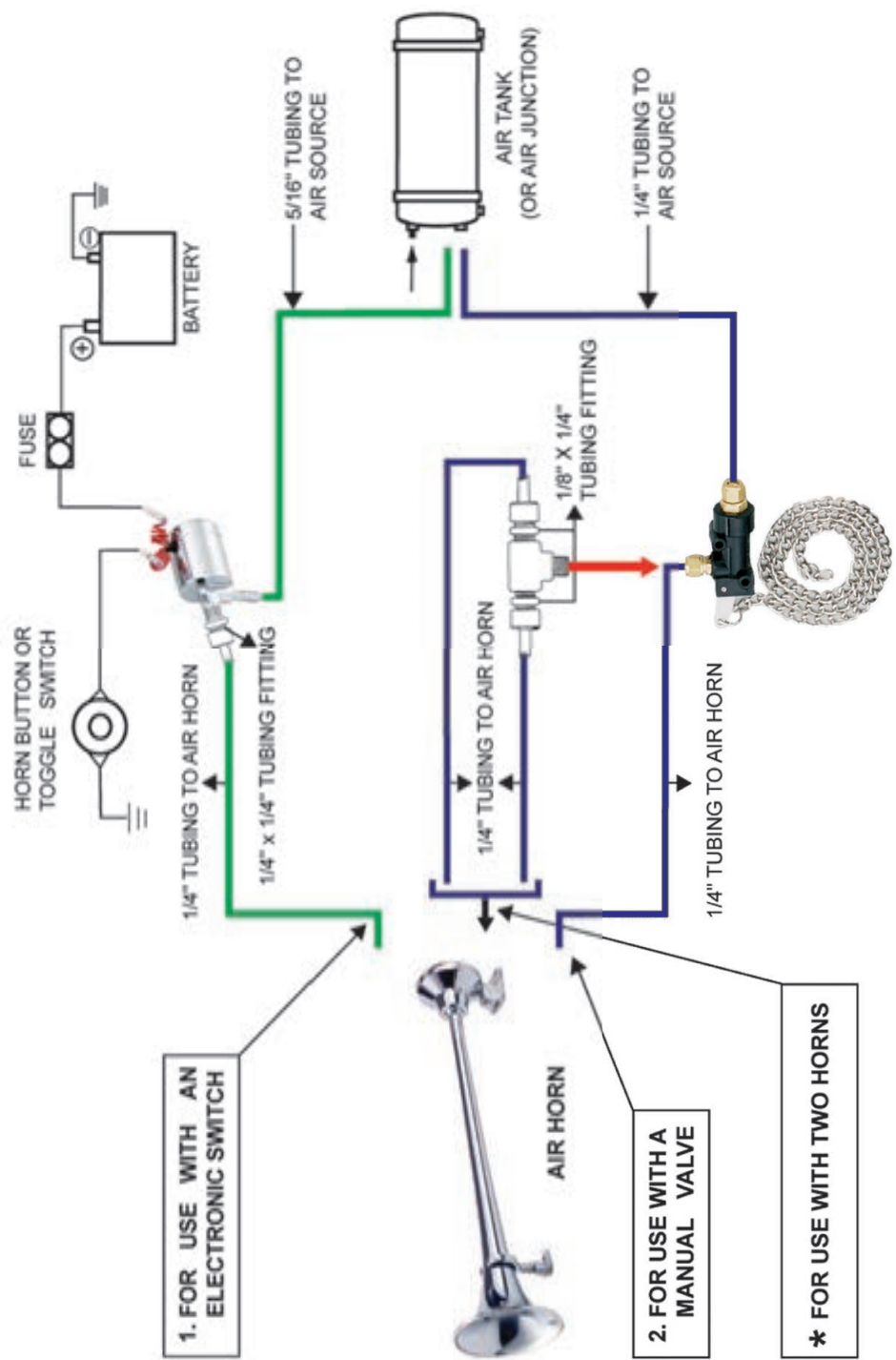
Rectangular horn cover. Fits 4-5/8" to 7-3/8" bell.



516SCD display pack



Installation Diagram



Replacement Parts



	Part No.	Description	5000E	5025	5030	5035	5040	5045	5060
A	5000-1	Solenoid valve	✓	✓	✓	✓	✓	✓	✓
B	5000-3	Universal hand valve	✓	✓	✓	✓	✓	✓	✓
C	5000-2	SS Diaphragm and spring	✓				✓		✓
D	5030-2	Diaphragm only			✓	✓			
E	5025-2	Diaphragm w/gasket, rubber tip, and mounting base gasket		✓					
F	5045-2	Diaphragm						✓	
G	5030-6	Pad for base			✓	✓			
H	5040-6	Pad for base					✓		✓
I	5045-6	Pad for base (Dual Horn)						✓	
J	5000-6	Pad for base (Train Horn)	✓						
K	5030-4	Zinc bracket with 2 pads and 2 SS bolts			✓	✓			
L	5040-4	Zinc bracket with pad and 1 SS bolt					✓		✓
M	5030-5	Zinc horn cover rectangular with 2 SS screws			✓	✓			
N	505S	Round chrome horn cover					✓		✓
O	5000-7	Stainless steel 1/4" bolt kit 4 pack	✓	✓	✓	✓	✓	✓	✓