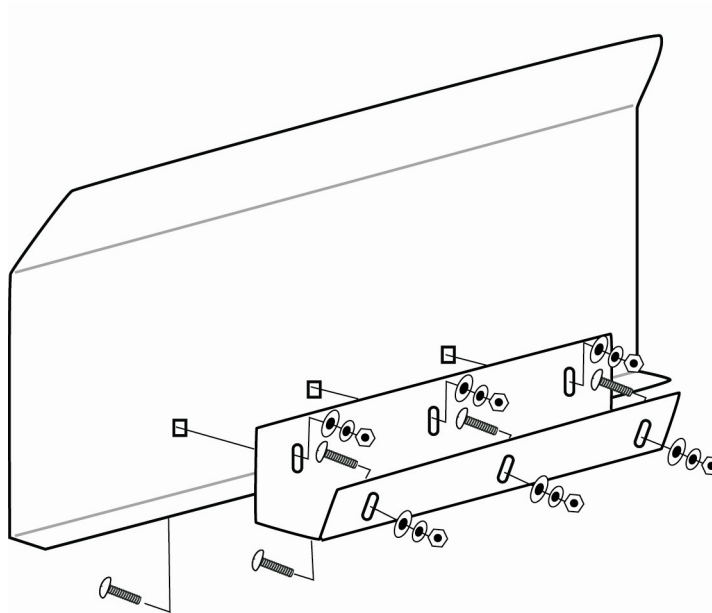




Kenworth W900 Fender Shields

Part number **874S**

ROADMASTER your source for quality truck accessories



Instructions

1. Mount the long bracket in back of the fender shield to a finger tight condition.
2. Carefully position this assembly to the desired location and mark the three holes to be drilled in the fender. (*Note: The side to side location of these holes are important and the vertical slots allow for up and down adjustment after installation*)
3. Drill the three 5/16" diameter holes in the fender.
4. Mount the assembly in place . Check for proper alignment. Adjust and tighten all bolts